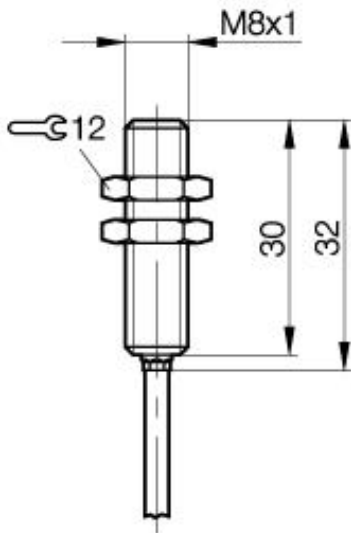


**Inductive Sensors**  
**BES 516-300-S292-BO-D-PU-05**  
**M8x1 x 34**  
**normally-closed**  
**Sn=1,5mm**  
**shielded**  
**pressure rated to 100 bar**



PX0693

**Common Data**

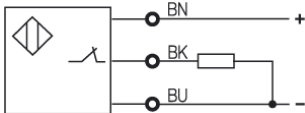
Mounting in steel	shielded
Rated operating distance Sn	1,5mm
Assured operating distance Sa	0...1.2mm
Repeatability R	± 5%
Hysteresis	≤ 15%
Ambient temperature range	-25...+70°C
Polution Degree	3
Time delay before availability	≤ 30ms
Particular characteristics	pressure rated to 100 bar

**Mechanical Data**

Measurements BxHxT or DxT	M8x1 x 34mm
Housing material	stainless steel
Material of sensing face	Ceramic
Degree of protection	IP67IP
Connection	Cable
Cable type	LifY-11Y-O
Schock: Halfsinus, 30 gn, 11ms	
Vibration: 55 Hz, 1mm Amplitude, 3 x 30 Minutes	

**Electrical Data**

Current type	DC
Wiring	3-Wire
switching function	normally-closed
Output signal	PNP
Rated operational voltage	24 DCV
Rated operational current	200mA
Supply voltage	10...30 DCV
Ripple	≤ 10%
max. switching frequency	1000Hz
Minimum operational current	≤ 1mA
No-load supply current	≤ 1/≤ 10mA
Off-state current	≤ 80µA
Voltage drop	≤ 2.5V
Short circuit protection	yes
Protected against polarity reversal	yes



Utilization categories  
 Insulation class

DC 13

Datasheet number:

Definitions see general catalog.  
 If not otherwise noted, ratings according to  
 IEC 60947-5-2 (DIN EN60947-5-2)

Balluff GmbH  
 Schurwaldstrasse 9  
 73765 Neuhausen a.d.F.  
 Phone (07158) 173-0 Fax (07158) 5010

Datenblatt by CD-ROM - 04/2007

**BALLUFF**  
 sensors worldwide